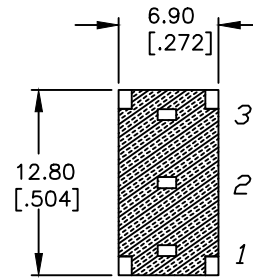
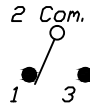
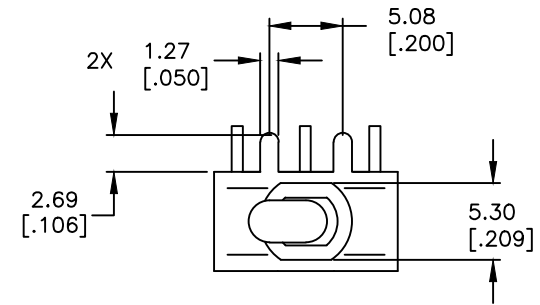


RECOMMENDED PCB LAYOUT



SECTION A-A



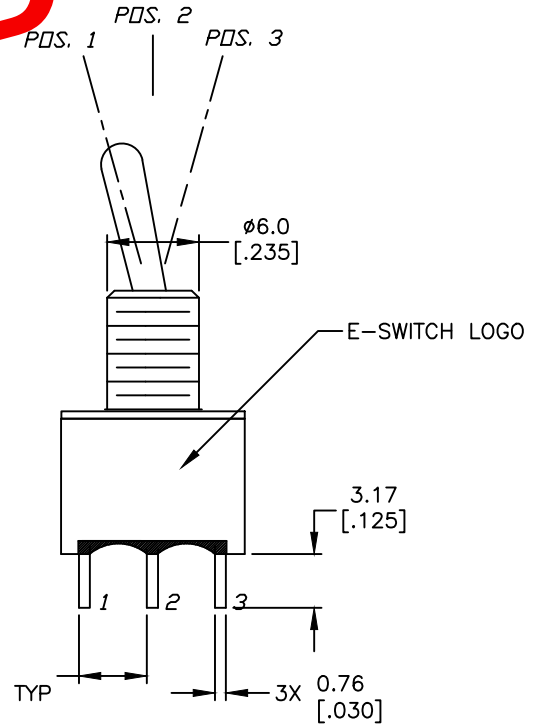
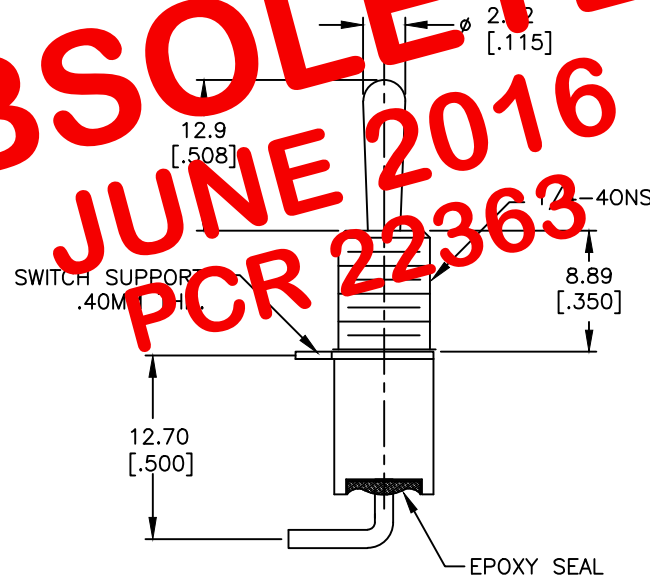
SPDT CIRCUIT CONTACT CONFIGURATION

SWITCH FUNCTION		
PDS. 1	PDS. 2	PDS. 3
ON	NONE	ON
2-3	OPEN	2-1

NOTES:

1. ALL DIMENSIONS IN MM [INCH]
2. GENERAL TOLERANCE: X.X=±0.4  
X.XX=±0.25
3. TERMINAL NUMBERS FOR REF ONLY
4. RATING: 5A @120V AC or 28V DC  
2A @250V AC
5. FIXED TERM. & MOVING CONTACT: COPPER ALLOY w/Silver plate.
6. ELECTRIC LIFE: 40,000 make-and-break cycles at full load.
7. INSULATION RESISTANCE: 1,000 Mega-ohm min.
8. DIELECTRIC STRENGTH: 1,000 V RMS @sea level.
9. OPERATING TEMP.: -30°C to 85°C

OBSOLETE  
JUNE 2016  
PCR 22363



**E-SWITCH®**

A		11525	RELEASED FOR PRODUCTION	10/10/01	CJC	TITLE 100A WSP-1 T1 B1 M6 Q E				
REV.	ECN No.	DESCRIPTION		DATE	CHKD	SCALE 2:1	DATE 10/10/01	DR CJC	DWG T101029	REV A

THE INFORMATION CONTAINED IN THIS DOCUMENT IS PROPRIETARY TO E-SWITCH AND IS NOT TO BE COPIED OR TRANSFERRED